

N 90, Built-in compact oven with steam function, 60 x 45 cm,  
Graphite-Grey  
C24FT53G0B

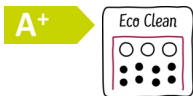


COOKING PASSION SINCE 1877



Compact oven Intensive Steam - quick steaming keeps your favourite dishes full of flavour and nutrients. Multipoint Meatprobe with forecast function. Home Connect - control your oven via the App.

- ✓ Premium 6,8" Full Touch TFT Display - Easy to use and intuitive interface for maximum comfort and control.
- ✓ Intensive Steam - Healthy steaming keeps your favourite dishes full of flavour and nutrients.
- ✓ Steam Boost - Fill your oven with steam quickly for ultimate flavour and texture.
- ✓ Circo Therm® - our smart hot-air solution for simultaneous baking and roasting on up to four levels
- ✓ Eco Clean with Base Clean - the duo that makes oven cleaning easier



#### Features

##### Technical Data

Color / Material Front : Graphite  
 Construction type : Built-in  
 Door opening : Drop down  
 Min. required niche size for installation (HxWxD) : 450-455 x 560-568 x 550 mm  
 Dimensions : 455 x 596 x 548 mm  
 Dimensions of the packed product (HxWxD) : 530 x 660 x 690 mm  
 Control Panel Material : Stainless steel  
 Door Material : Glass  
 Net weight : 35.3 kg  
 Length of electrical supply cord : 150.0 cm  
 EAN code : 4242004266464  
 Fuse protection : 16 A  
 Voltage : 220-240 V  
 Plug type : no plug (electrical connection by electrician)  
 Number of cavities (2010/30/EC) : 1  
 Usable volume (of cavity) - NEW (2010/30/EC) : 47 l  
 Energy efficiency rating : A+  
 Energy consumption per cycle conventional (2010/30/EC) : 0.73 kWh/cycle  
 Energy consumption per cycle forced air convection (2010/30/EC) : 0.61 kWh/cycle  
 Energy efficiency index (2010/30/EC) : 81.3 %  
 Included accessories : 1 x grid, 1 x universal pan, 1 x steam container, punched, size XL, 1 x Steam container, punched, size M, 1 x Steam container, unpunched, size M

#### Optional accessories

Z11AB15A0	Baking tray, non-stick ceramic coated
Z11CR10X0	Baking and roasting grid (standard)
Z11SZ00X0	SeamlessCombination mounting kit
Z11SZ60G0	SeamlessCombination 45 + 14cm
Z11SZ90G0	SeamlessCombination 60 + 45cm
Z12CB10A0	Baking tray, anthracite enamelled
Z12CM10A0	Moussaka pan, anthracite enamelled
Z13CV06S0	Decor strip
Z1608DX0	Full ext rails, level independent, steam
Z1650BE0	Half tray
Z1655CA0	Air Fry & Grill tray, anthracite



4 242004 266464

*N 90, Built-in compact oven with steam function,  
60 x 45 cm, Graphite-Grey  
C24FT53G0B*

## Features

- Compact steam oven with 22 heating methods: CircoTherm®, Top/bottom heat, Circo-roasting, Full surface grill, Centre surface grill, CircoTherm® intensive, Bread baking, Bottom heat, Low temperature cooking, Plate warming, Keep warm, CircoTherm® gentle, Conventional heat gentle, Steaming, Reheat with steam, Dough proving, Defrost, Circo-roasting, Bread Baking Setting, warming, 4D Hot air, Top/bottom heat

## Design

- Graphite-Grey Edition
- Touch control
- Cavity inner surface: enamel anthracite

## Features

- HomeConnect ready on WLAN
- Oven Assistant with Voice Control
- Control panel lock  
Automatic safety switch off Residual heat indicator Start button  
Door contact switch
- Full glass inner door

## Programmes/functions

- Temperature range 40 °C - 250 °C
- LED light, On/off button
- Electronic clock timer
- Drop down door, SoftClose, soft opening
- Water tank empty indicator
- Location of water tank: Outside cavity
- Heat reflective glass
- Triple glazed door glazed CoolTouch door
- Temperature proposal  
Actual temperature display Heating up indicator Temperature probe
- cookControl Plus
- Rapid heat
- steam boost - add for 3min intensive steam with a touch of a button.
- There are different steam intensities selectable: steam level high, steam level middle, steam level low
- Cooling fan
- Stainless-steel fan

## Level independent telescopic rails

- 3 shelf positions
- Available as an accessory

## Cleaning

- EcoClean Direct: coating of ceiling, back panel, side liners
- EcoClean programme, Base Clean programme

## Accessories

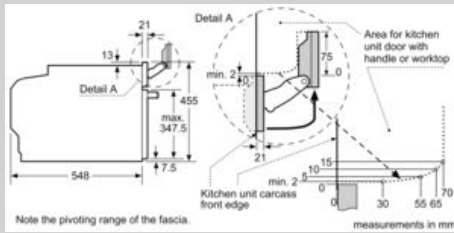
- 1 x Steam container, punched, size M, 1 x steam container, punched, size XL, 1 x Steam container, unpunched, size M, 1 x grid, 1 x universal pan

## Performance/technical information

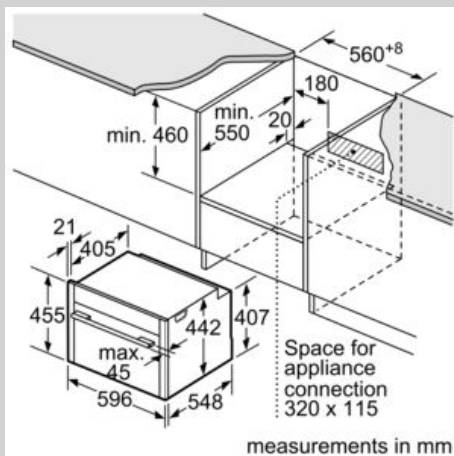
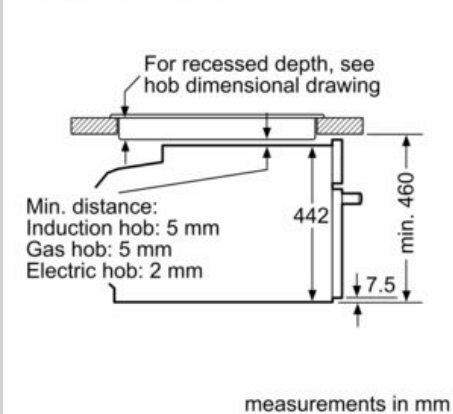
- Power cord length 150 cm Cable length
- Nominal voltage: 220 - 240 V
- Total connected load electric: 3.3 KW
- Energy efficiency rating (acc. EU Nr. 65/2014): A+  
Energy consumption per cycle in conventional mode:0.73 kWh  
Energy consumption per cycle in fan-forced convection mode:0.61 kWh  
Number of cavities: Main cavity Heat source: electrical Cavity volume:47 litre
- Appliance dimension (hxwxh): 455 mm x 596 mm x 548 mm
- Niche dimension (hxwxh): 450 mm - 455 mm x 560 mm - 568 mm x 550 mm
- Please refer to the dimensions provided in the installation manual

N 90, Built-in compact oven with steam function,  
60 x 45 cm, Graphite-Grey  
C24FT53G0B

Dimensioned drawings

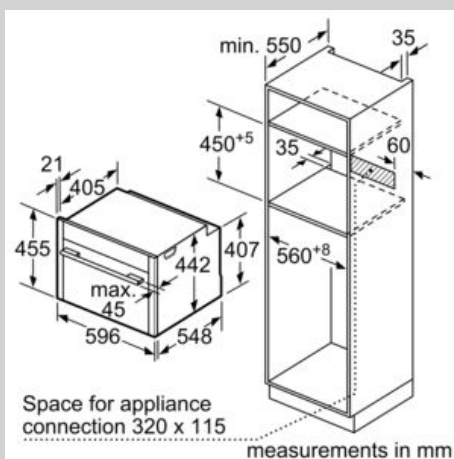


Installation with a hob.

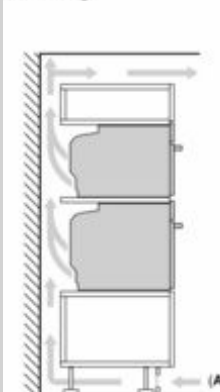


If the compact appliance will be installed underneath a hob, the following worktop thicknesses (including substructure if necessary) must be taken into account.

Hob type	min. worktop thickness	
	fitted	flush
Induction hob	42 mm	43 mm
Full surface Induction hob	52 mm	53 mm
Gas hob	32 mm	43 mm
Electric hob	32 mm	35 mm



Installing two appliances on top of each other  
Air exchange



A: Air inlet  $\geq 200 \text{ cm}^2$